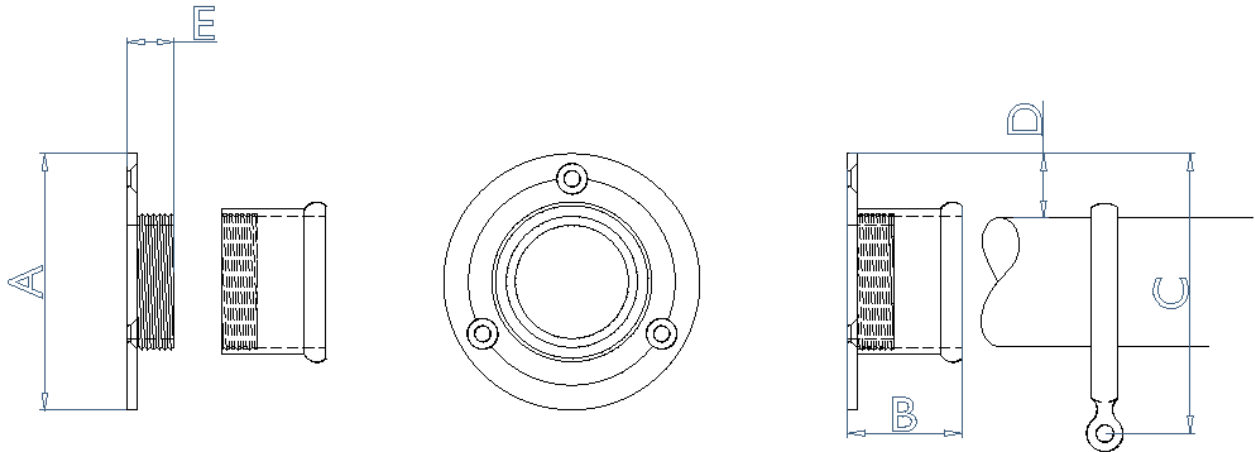


RECESS BRACKET



	FLANGED RECESS BRACKET				
POLE DIAMETER	A	B	C	D	E
19mm	57	25	65	21	11
25mm	50	30	60	13	13
32mm	60	32	75	20	13
38mm	75	35	85	20	13
50mm	90	35	100	19	13
63mm	120	35	115	25	13
75mm	130	35	130	25	13

	INLINE RECESS BRACKET				
POLE DIAMETER	A	B	C	D	E
19mm	25	25	45		11
25mm	30	30	45		13
32mm	38	32	60		13
38mm	45	35	65		13
50mm	57	35	80		13
63mm					
75mm					

