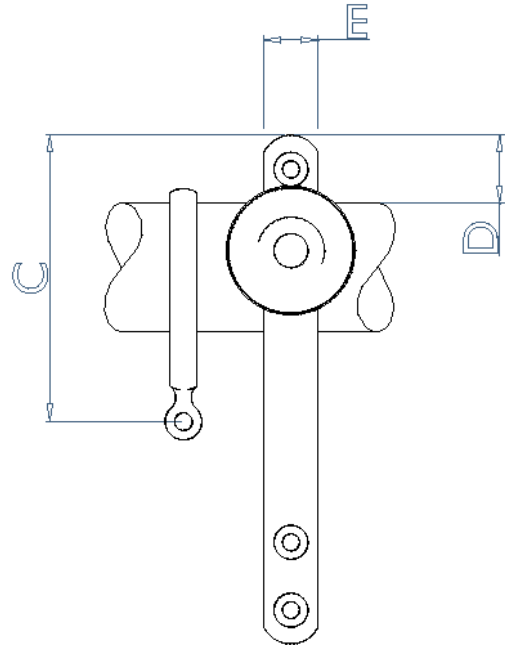
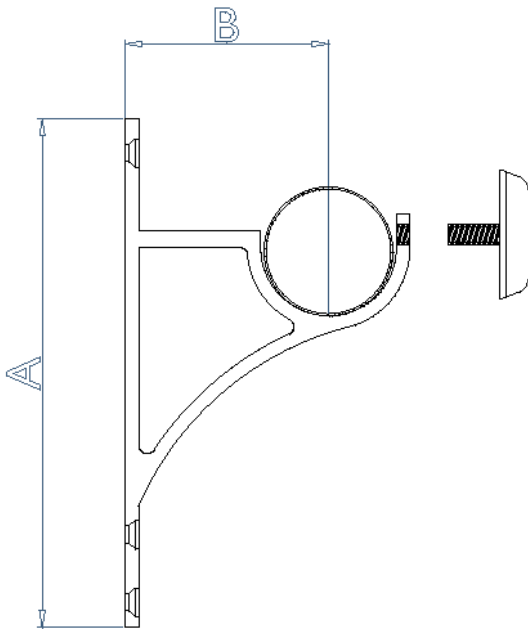


CLASSIC END / CENTRE BRACKET



	CLASSIC END BRACKET				
POLE DIAMETER	A	B	C	D	E
19mm	110	40	57	12	12
25mm	120	45	60	15	12
32mm	135	50	80	20	15
38mm	150	60	85	20	15
50mm	170	65	90	10	18
63mm	180	85	100	10	20
75mm	190	90	115	10	22

	CLASSIC CENTRE BRACKET				
POLE DIAMETER	A	B	C	D	E
19mm	30	40	57	12	50
25mm	35	40	60	15	60
32mm	35	50	70	10	60
38mm	45	60	75	10	85
50mm	45	65	85	5	85
63mm	50	75	90	0	100
75mm	50	90	105	0	100

